



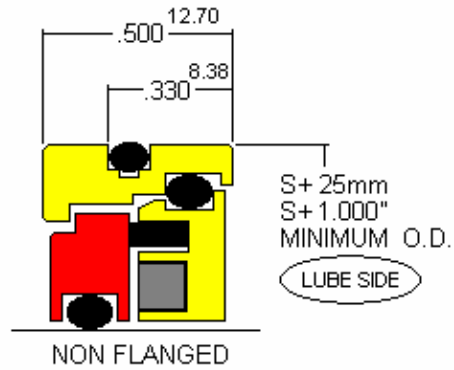
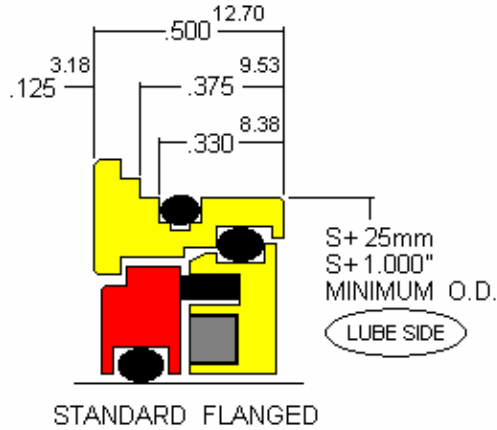
MAGNUM - D

CARTRIDGE BEARING SEAL

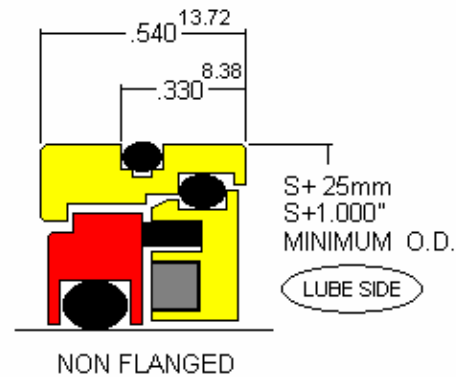
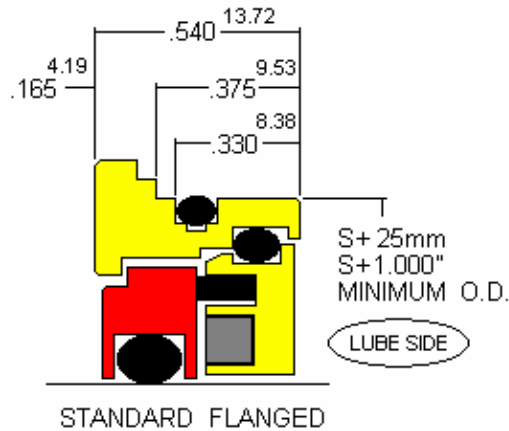
OUTSIDE ALL METAL ROTOR PROVIDES MAXIMUM PROTECTION FROM OUTSIDE CONTAMINANTS

STANDARD MINIMUM SPACE REQUIREMENTS

SEAL SIZES .745" TO 2.005" 18.92mm TO 50.94mm



SEAL SIZES 2.006" TO 2.880" 50.95mm TO 73.15mm



SEAL SIZES 2.881" TO 5.000" 73.16mm TO 127mm

